



SGSLIGHT

Lighting Solutions

Shenzhen

SGSlight Technology Co, Ltd.

**LED PANEL CATALOG
2015-2016**



The TLP LED panel is classified into TLP-XX, TLP-F, TLP-M, TLP-A and TLP-E series. For different applications, you can choose different series, so that you will be more competitive in your market. The following comparison chart will let you understand better the differences between each series.

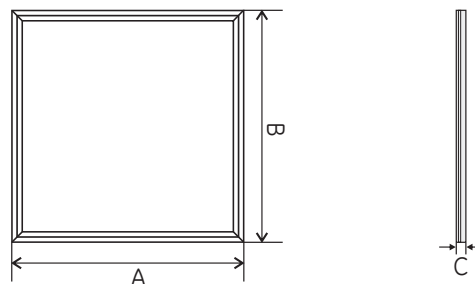
Series	Features	TLP-6060 Products Performance				Material		
		Lumen Efficacy ±5%	Lumen @4000K	Rated Power ±5%	Warranty	LED QTY	LED Chip Size	LGP
TLP-XX	Extreme energy saving LED panel. You can get 3200lm with only 26W, instead of 40W.	120 lm/W	3120 lm	26 W	5 years	192 pcs	26x46 mil	MITSU BISHI
TLP-F	High class LED panel with high lumen efficacy to meet your clients' high class requirements.	105 lm/W	4200 lm	40 W	5 years	192 pcs	20x35 mil	
TLP-M	Our best selling series, with very competitive price and good quality.	90 lm/W	3600 lm	40 W	4 years	108 pcs	20x35 mil	ENTIRE
TLP-A	Good lumen efficacy LED panel with affordable price.	80 lm/W	3360 lm	42 W	3 years	108 pcs	15x30 mil	
TLP-E	Economy version with unbeatable price. It helps you to be a price killer in your market.	70 lm/W	3360 lm	48 W	2 years	108 pcs	15x30 mil	

Features & Benefits

- 120 lm/W high lumen efficacy, with high 80+ CRI.
- TUV CB, GS, EMC and RoHS certified.
- LM80 26x46mil 2835 SMD, 97.1% lumen maintenance @ 6,000 hours.
- 3T MITSUBISHI PMMA LGP, with enhanced laser printing dots; 1.2T CHIMEI PS diffuser and TORAY frosted enhanced light reflector.
- ElecCoat™ technology provides white appearance, with superb heat dissipation performance.
- NanoGap™ technology ensures the high lumen efficacy and protection of the LEDs.
- Control: DALI / 0-10V / TRIAC dim control solutions available.
- Long life: L70 @ 100,000 hours.
- 5 years warranty.

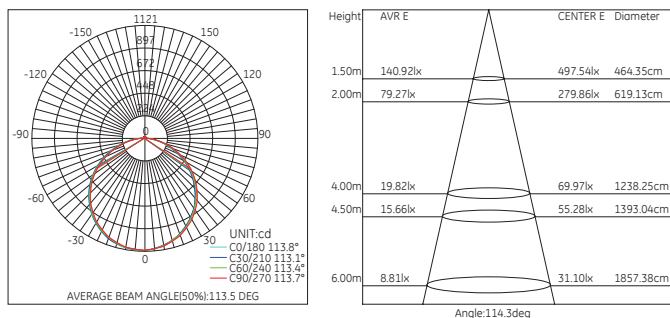


Model	TLP-XX-6060/6262-26	TLP-XX-6060/6262-36	
Light Source	26x46mil Chip		
LED Quantity	192 LEDs		
Input Voltage	100-240VAC		
Power Factor	>0.9		
Operation Temperature	-20~40 °C		
Power Consumption	26±1W	36±1W	
Typical Lumens	6000K	3120LM	4320LM
	4000K	3120LM	4320LM
	3000K	2860LM	3960LM

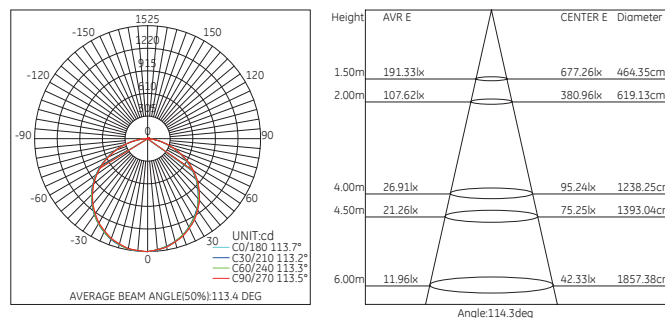


Model	Dimension (mm)		
	A	B	C
TLP-XX-6060	596	596	11
TLP-XX-6262	620	620	11

TLP-XX-6060/6262N-26 26w 4000k

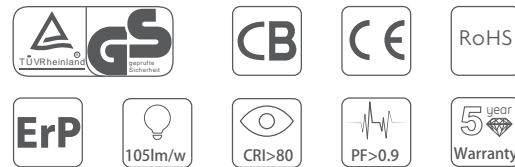
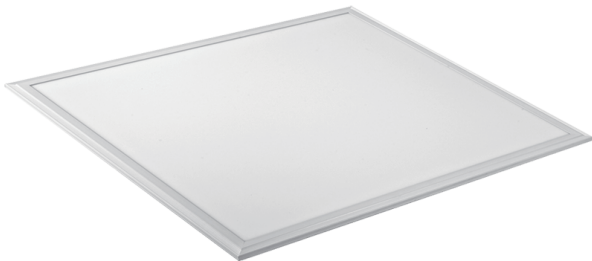


TLP-XX-6060/6262N-36 36w 4000k

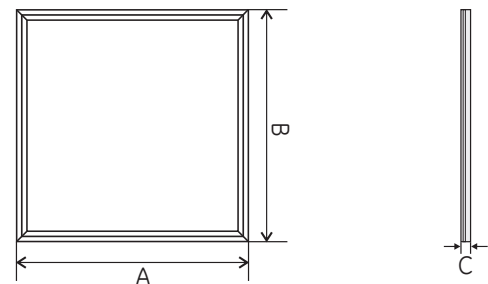


Features & Benefits

- 105 lm/W high lumen efficacy, with high 80+ CRI.
- TUV CB, GS, EMC and RoHS certified.
- LM80 20x35mil 2835 SMD, 97.1% lumen maintenance @ 6,000 hours.
- 3T ENTIRE PMMA LGP, with extrusion process; 1.2T CHIMEI PS diffuser and DXC light reflector.
- ElecCoat™ technology provides white appearance, with superb heat dissipation performance.
- NanoGap™ technology ensures the high lumen efficacy and protection of the LEDs.
- Control: DALI / 0-10V / TRIAC dim control solutions available.
- Long life: L70 @ 80,000 hours.
- 5 years warranty.

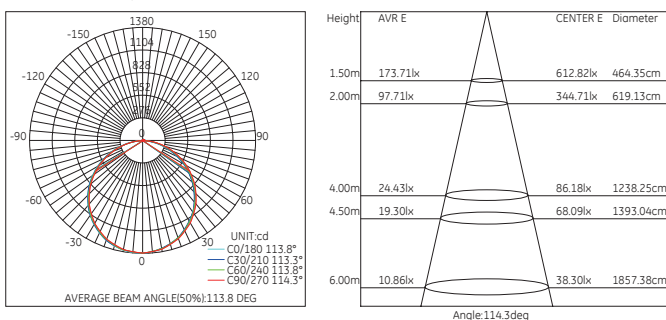


Model	TLP-F-6060/6262-40	TLP-F-6060/6262-46	
Light Source	20x35mil chip		
LED Quantity	192 LEDs		
Input Voltage	100-240VAC		
Power Factor	>0.9		
Operation Temperature	-20~40 °C		
Power Consumption	40±1W	46±1W	
Typical Lumens	6000K	4200LM	4600LM
	4000K	4200LM	4600LM
	3000K	4000LM	4370LM

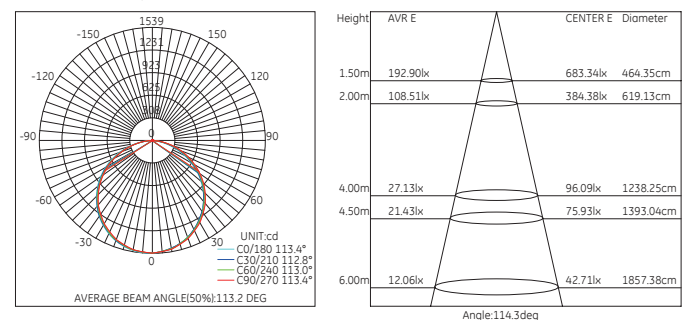


Model	Dimension (mm)		
	A	B	C
TLP-F-6060	596	596	11
TLP-F-6262	620	620	11

TLP-F-6060/6262N-40 40w 4000k



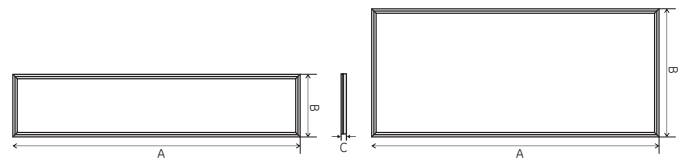
TLP-F-6060/6262N-46 46w 4000k





Features & Benefits

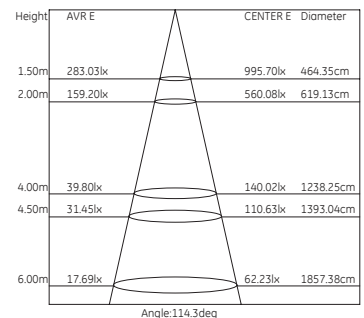
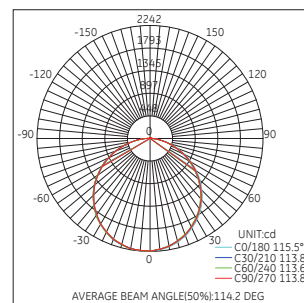
- 90 lm/W high lumen efficacy, with high 80+ CRI.
- TUV CB, GS, EMC and RoHS certified.
- LM80 20x35mil 2835 SMD, 97.1% lumen maintenance @ 6,000 hours.
- 3T ENTIRE PS PMMA LGP, with extrusion process; 1.2T CHIMEI PS diffuser and DXC light reflector.
- ElecCoat™ technology provides white appearance, with superb heat dissipation performance.
- NanoGap™ technology ensures the high lumen efficacy and protection of the LEDs.
- Control: DALI / 0-10V / TRIAC dim control solutions available.
- Long life: L70 @ 80,000 hours.
- 5 years warranty.



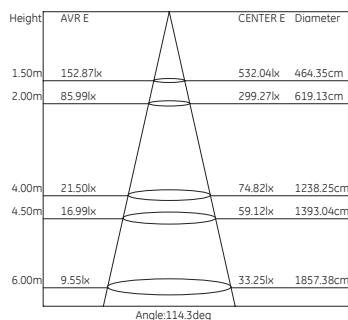
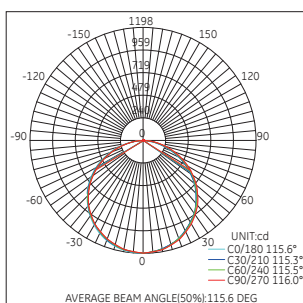
Model	Dimension (mm)		
	A	B	C
TLP-F-3012	296	1196	11
TLP-F-6012	596	1196	11

Model	TLP-F-3012-40	TLP-F-3012-72	TLP-F-6012-72
Light Source	20x35mil chip		
LED Quantity	192 LEDs	192 LEDs	216 LEDs
Input Voltage	100-240VAC		
Power Factor	>0.9		
Operation Temperature	-20~40 °C		
Power Consumption	40±1W	72±1W	72±1W
Typical Lumens	6000K	4200LM	4600LM
	4000K	4200LM	4600LM
	3000K	3800LM	4140LM

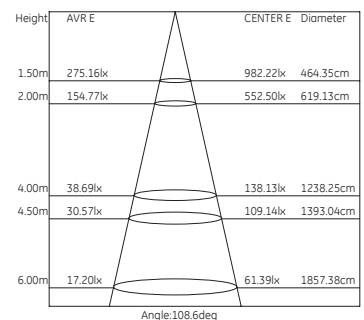
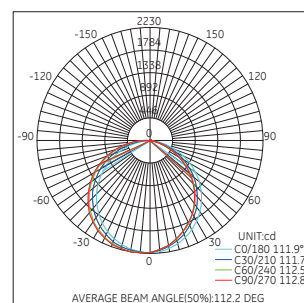
TLP-F-6012N-72 72w 4000k



TLP-F-3012N-40 40w 4000k



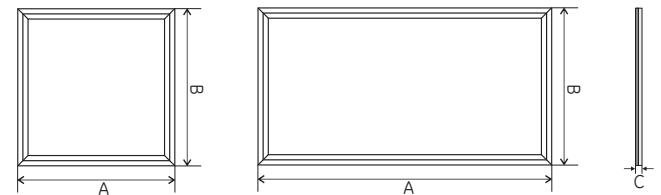
TLP-F-3012N-72 72w 4000k



Features & Benefits

- *80 lm/W high lumen efficacy, with high 80+ CRI.
- TUV CB, GS, EMC and RoHS certified.
- LM80 20x35mil 2835 SMD, 97.1% lumen maintenance @ 6,000 hours.
- 3T ENTIRE PS PMMA LGP, with extrusion process; 1.2T CHIMEI PS diffuser and DXC light reflector.
- ElecCoat™ technology provides white appearance, with superb heat dissipation performance.
- NanoGap™ technology ensures the high lumen efficacy and protection of the LEDs.
- Control: DALI / 0-10V / TRIAC dim control solutions available.
- Long life: L70 @ 80,000 hours.
- 5 years warranty.

*TLP-F-3030

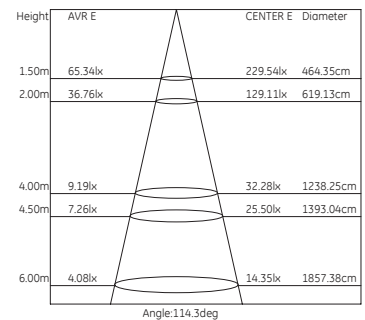
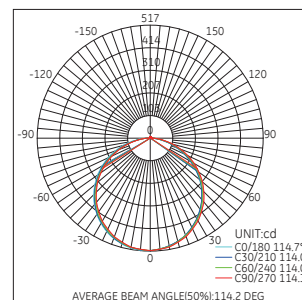


Model	Dimension (mm)		
	A	B	C
TLP-F-3030	296	296	11
TLP-F-3060	296	596	11

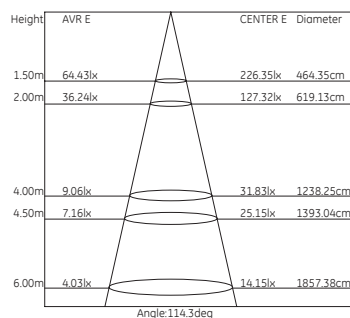
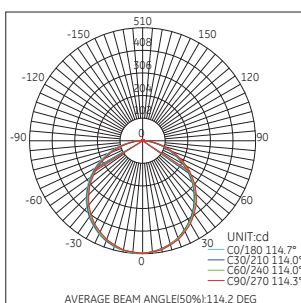


Model	TLP-F-3030-18	TLP-F-3060-18	TLP-F-3060-40
Light Source	20x35mil chip		
LED Quantity	48 LEDs	108 LEDs	108 LEDs
Input Voltage	100-240VAC		
Power Factor	>0.9		
Operation Temperature	-20~40 °C		
Power Consumption	18±1W	18±1W	40±1W
Typical Lumens	6000K 1440LM	1530LM	3200LM
	4000K 1440LM	1530LM	3200LM
	3000K 1260LM	1377LM	2880LM

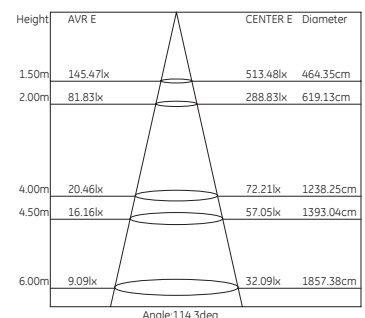
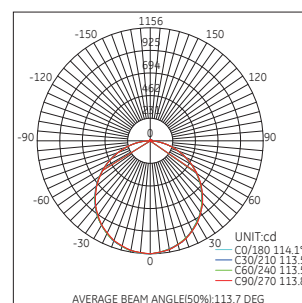
TLP-F-3060N-18 18w 4000k



TLP-F-3030N-18 18w 4000k

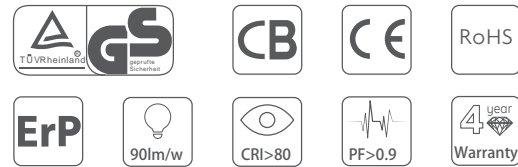
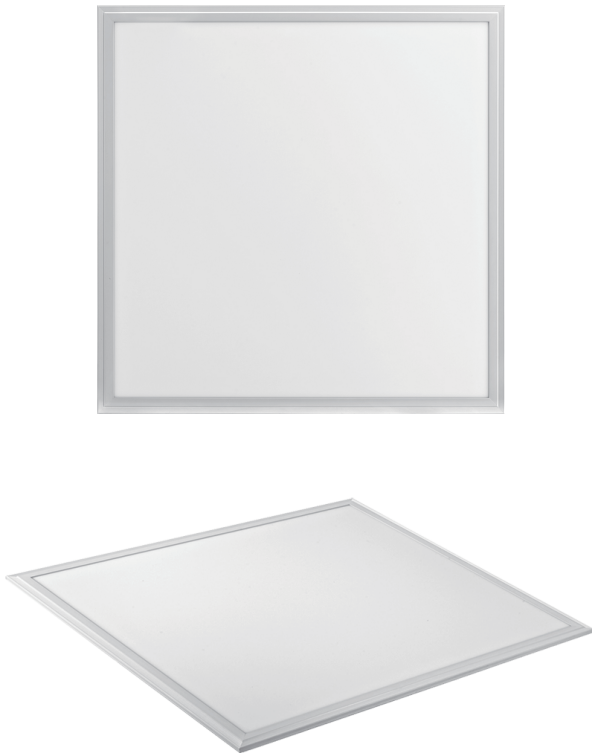


TLP-F-3060N-40 40w 4000k

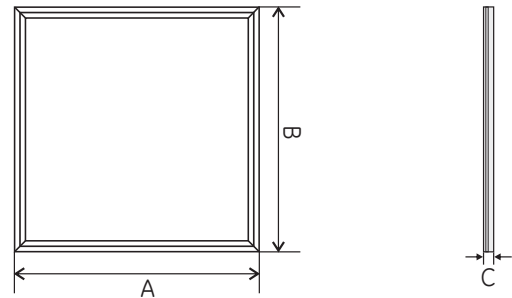


Features & Benefits

- 90 lm/W high lumen efficacy, with high 80+ CRI.
- TUV CB, GS, EMC and RoHS certified.
- LM80 20x35mil 2835 SMD, 97.1% lumen maintenance @ 6,000 hours.
- 3T ENTIRE PMMA LGP, with extrusion process; 1.2T CHIMEI PS diffuser and DXC light reflector.
- ElecCoat™ technology provides white appearance, with superb heat dissipation performance.
- NanoGap™ technology ensures the high lumen efficacy and protection of the LEDs.
- Control: DALI / 0-10V / TRIAC dim control solutions available.
- Long life: L70 @ 70,000 hours.
- 4 years warranty.



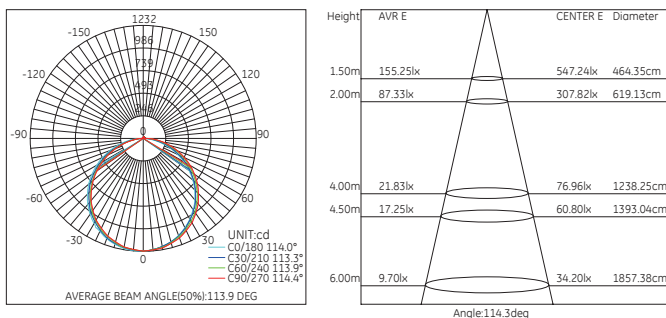
Model	TLP-M-6060/6262-40	TLP-M-6060/6262-46
Light Source	20x35mil chip	
LED Quantity	108 LEDs	
Input Voltage	100-240VAC	
Power Factor	>0.9	
Operation Temperature	-20~40 °C	
Power Consumption	40±1W	46±1W
Typical Lumens	6000K 3600LM	3910LM
	4000K 3600LM	3910LM
	3000K 3240LM	3680LM



Model	Dimension (mm)		
	A	B	C
TLP-M-6060	596	596	11
TLP-M-6262	620	620	11

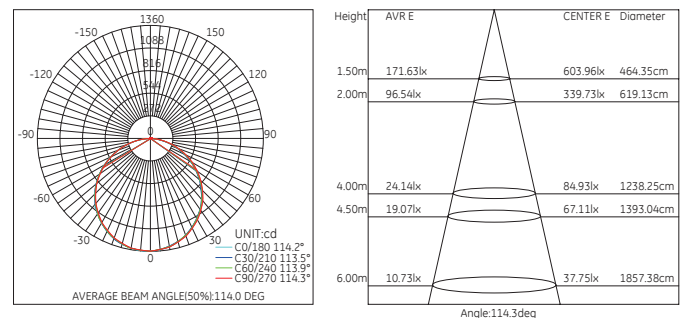
TLP-M-6060/6262N-40

40w 4000k



TLP-M-6060/6262N-46

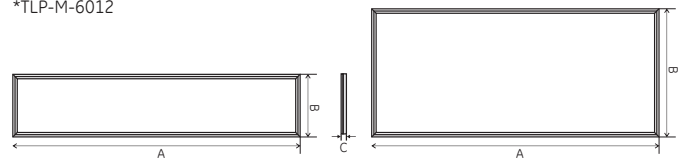
46w 4000k



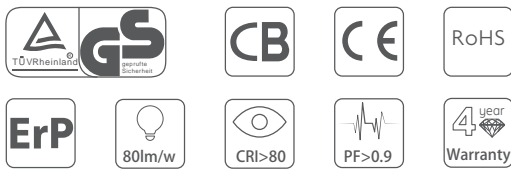
Features & Benefits

- *80 lm/W high lumen efficacy, with high 80+ CRI.
- TUV CB, GS, EMC and RoHS certified.
- LM80 15x30mil 2835 SMD, 94.2% lumen maintenance @ 6,000 hours.
- 3T ENTIRE PMMA LGP, with extrusion process; 1.2T CHIMEI PS diffuser and DXC light reflector.
- ElecCoat™ technology provides white appearance, with superb heat dissipation performance.
- NanoGap™ technology ensures the high lumen efficacy and protection of the LEDs.
- Control: DALI / 0-10V / TRIAC dim control solutions available.
- Long life: L70 @ 70,000 hours.
- 4 years warranty.

*TLP-M-6012

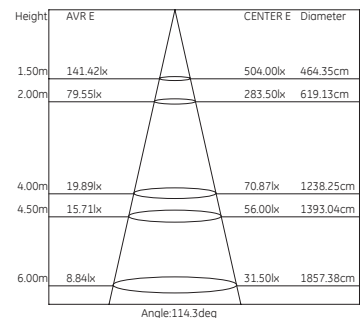
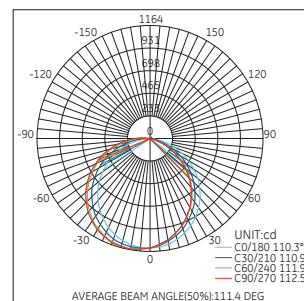


Model	Dimension (mm)		
	A	B	C
TLP-M-3012	296	1196	11
TLP-M-6012	596	1196	11

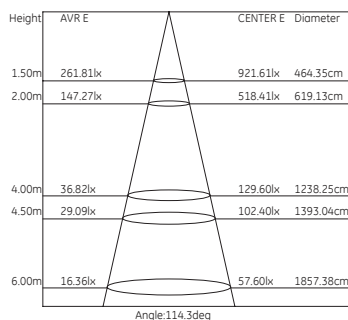
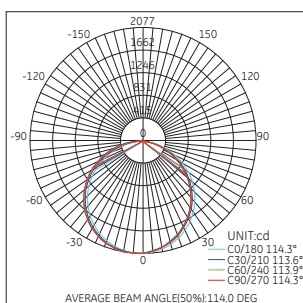


Model	TLP-M-3012-42	TLP-M-3012-74	TLP-M-6012-74
Light Source	10x30mil chip	10x30mil chip	15x30mil chip
LED Quantity	216 LEDs	216 LEDs	216 LEDs
Input Voltage	100-240VAC		
Power Factor	>0.9		
Operation Temperature	-20~40 °C		
Power Consumption	42±1W	74±1W	74±1W
Typical Lumens	6000K	3360LM	5180LM
	4000K	3360LM	5180LM
	3000K	3024LM	45800LM
		5328LM	

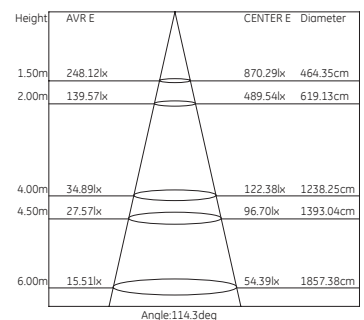
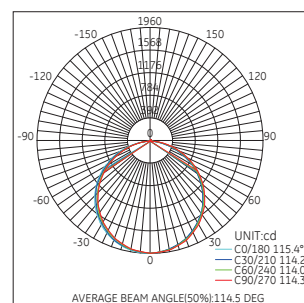
TLP-M-3012N-42 42w 4000k



TLP-M-6012N-74 74w 4000k

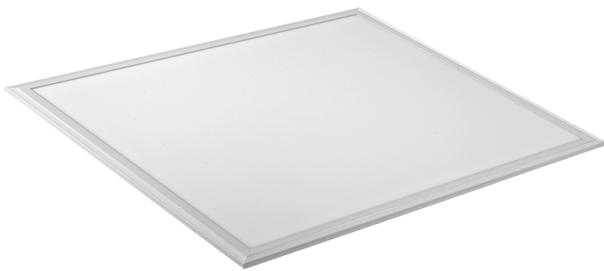


TLP-M-3012N-74 74w 4000k

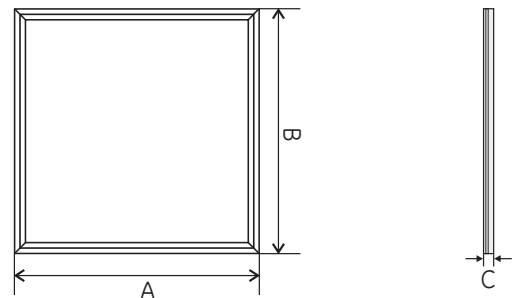


Features & Benefits

- 80 lm/W high lumen efficacy, with high 80+ CRI.
 - TUV CB, GS, EMC and RoHS certified.
 - LM80 15x30mil 2835 SMD, 94.2% lumen
 - maintenance @ 6,000 hours.
 - 3T ENTIRE PMMA LGP, with extrusion process; 1.2T PS
 - diffuser and DXC light reflector.
 - ElecCoat™ technology provides white appearance,
 - with superb heat dissipation performance.
 - NanoGap™ technology ensures the high lumen efficacy and protection of the LEDs.
- Control: DALI / 0-10V / TRIAC dim control solutions available.
 Long life: L70 @ 60,000 hours.
 3 years warranty.

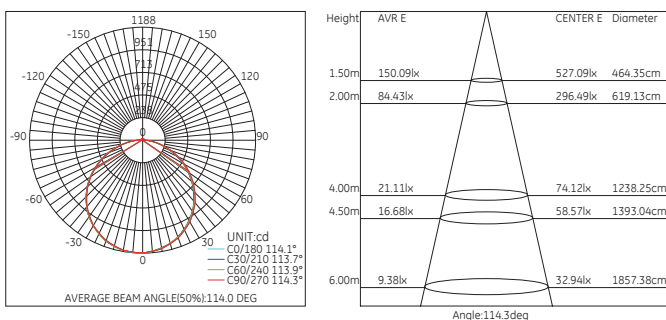


Model	TLP-A-6060-42	TLP-A-6262-42	
Light Source	15x30mil chip		
LED Quantity	108 LEDs		
Input Voltage	100-240VAC		
Power Factor	>0.9		
Operation Temperature	-20~40 °C		
Power Consumption	42±1W	42±1W	
Typical Lumens	6000K	3360LM	3360LM
	4000K	3360LM	3360LM
	3000K	2940LM	2940LM

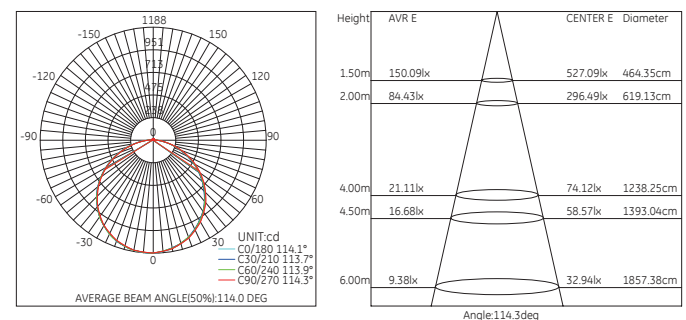


Model	Dimension (mm)		
	A	B	C
TLP-A-6060	596	596	11
TLP-A-6262	620	620	11

TLP-A-6060N-42 42w 4000k

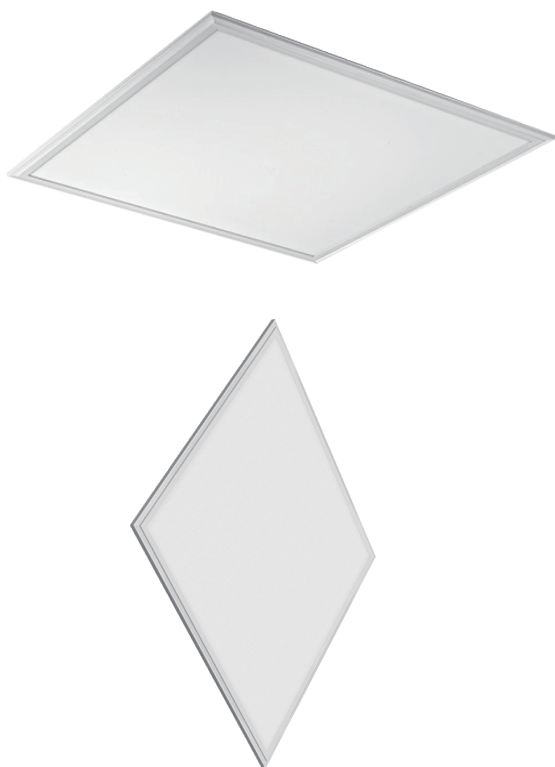


TLP-A-6262N-42 42w 4000k

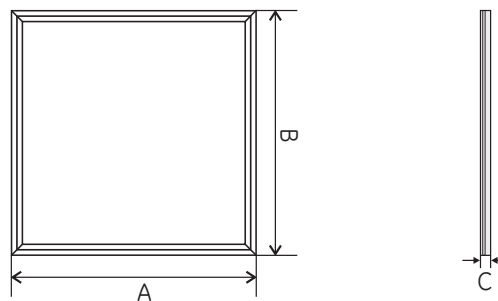


Features & Benefits

- 70 lm/W high lumen efficacy, with high 80+ CRI.
- TUV CB, GS, EMC and RoHS certified.
- LM80 15x30mil 2835 SMD, 93% lumen maintenance @ 6,000 hours.
- 3T ENTIRE PS PMMA LGP, with extrusion process; 1.2T PS diffuser and DXC light reflector.
- ElecCoat™ technology provides white appearance, with superb heat dissipation performance.
- NanoGap™ technology ensures the high lumen efficacy and protection of the LEDs.
- Control: DALI / 0-10V / TRIAC dim control solutions available.
- Long life: L70 @ 45,000 hours.
- 2 years warranty.

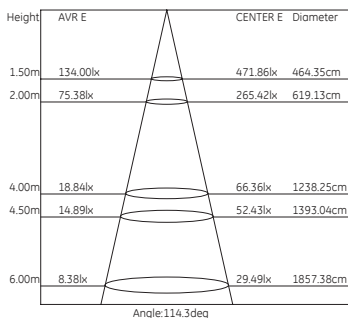
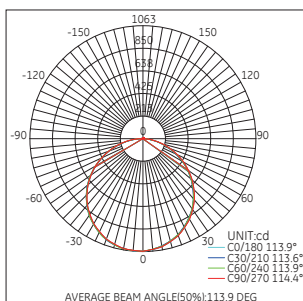


Model	TLP-E-6060-48	
Light Source	15x30mil chip	
LED Quantity	108 LEDs	
Input Voltage	100-240VAC	
Power Factor	>0.9	
Operation Temperature	-20~40 °C	
Power Consumption	48±1W	
Typical Lumens	6000K	3360LM
	4000K	3360LM
	3000K	2976LM



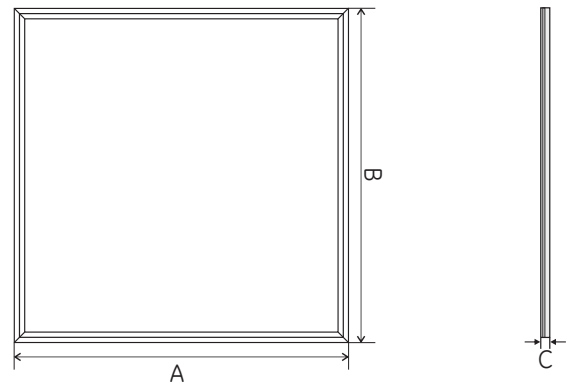
Model	Dimension (mm)		
	A	B	C
TLP-E-6060	596	596	11

TLP-E-6060N-48 48w 4000k



Features & Benefits

- 90 lm/W delivered at 6000K.
- Aesthetic design and superior performances.
- A uniform illuminating surface without led dots.
- Enhanced visual performance and emotional light experience.
- Direct and indirect light. Durable and reliable.
- No IR or UV radiation.



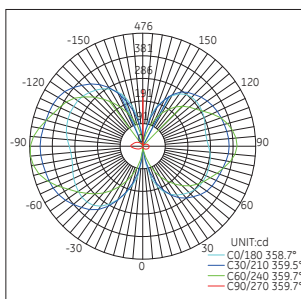
Model	Dimension (mm)		
	A	B	C
TLP-TD-6060	596	596	11



Model	TLP-TD-6060-40W	
Light Source	LM80 Lextar 2235mil 2835 SMD	
LED Quantity	108 LEDs	
Input Voltage	100-240VAC	
Power Factor	>0.95	
Operation Temperature	-20~40 °C	
Power Consumption	40±1W	
Typical Lumens	6000K	3250LM
	4000K	3250LM
	3000K	3000LM

TLP-TD-6060

40w 4000k



Height	AVR E	CENTER E	Diameter
1.50m	54.30lx	168.40lx	562.43cm
2.00m	30.54lx	94.72lx	749.90cm
4.00m	7.64lx	23.68lx	1499.81cm
4.50m	6.03lx	18.71lx	1687.28cm
6.00m	3.39lx	10.52lx	2249.71cm

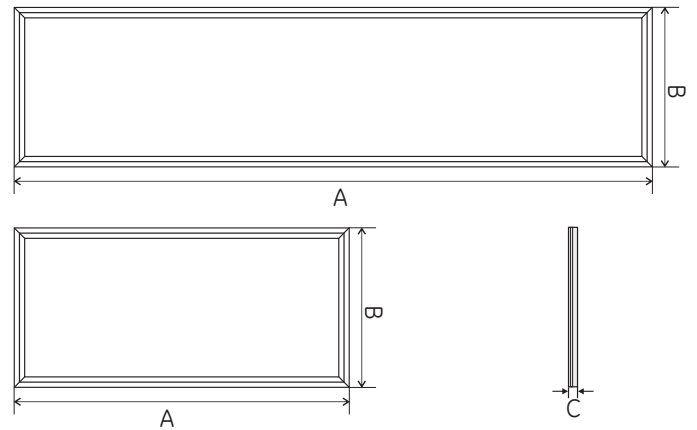
Angle: 24.7deg

Features & Benefits

- 90 lm/W delivered at 6000K.
- Aesthetic design and superior performances.
- A uniform illuminating surface without led dots.
- Enhanced visual performance and emotional light experience.
- Direct and indirect light. Durable and reliable.
- No IR or UV radiation.



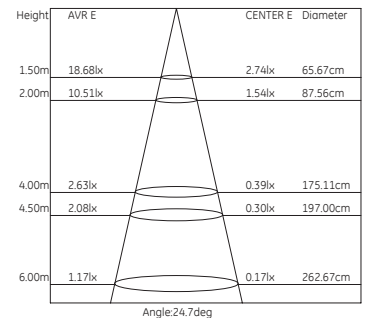
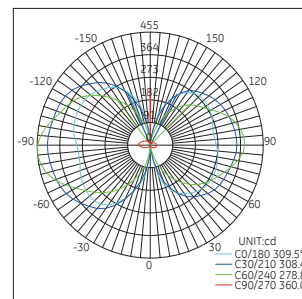
Model	TLP-TD-3012-40W	TLP-TD-3060-30W	
Light Source	LM80 Lextar 2235mil 2835 SMD		
LED Quantity	108 LEDs		
Input Voltage	100-240VAC		
Power Factor	>0.95		
Operation Temperature	-20~40 °C		
Power Consumption	40±1W	30±1W	
Typical Lumens	6000K	3551LM	2123LM
	4000K	3325LM	2123LM
	3000K	3175LM	2000LM



Model	Dimension (mm)		
	A	B	C
TLP-TD-3012	1196	296	11
TLP-TD-3060	596	296	11

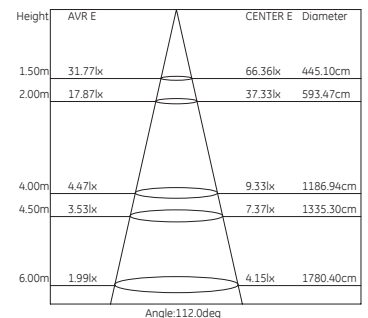
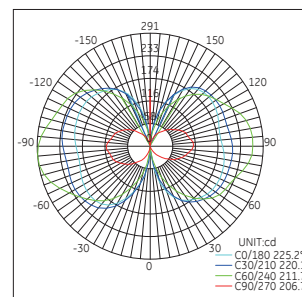
TLP-TD-3012

40w 4000k



TLP-TD-3060

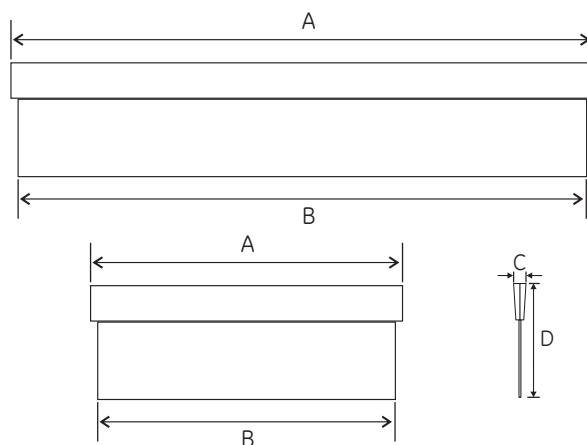
30w 4000k





Features & Benefits

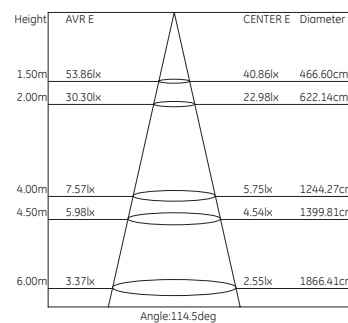
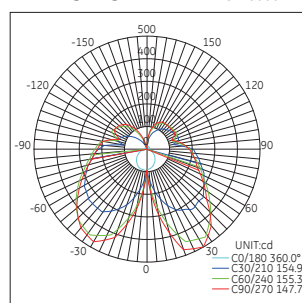
- 2 different lengths to suit applications.
- Transparent when off – creating less visual clutter in the environment.
- Put light primarily on to vertical surfaces, the primary selling surface of retailing.
- Great 360 degree distribution, meaning with ‘with aisle’ or ‘cross aisle’ lighting are both available to the customer.



Model	Dimension (mm)			
	A	B	C	D
TLP-TS-28	600	590	34	170
TLP-TS-55	1190	1180	34	170

Model	TLP-TS-28	TLP-TS-55	
Light Source	LM80 2835 SMD		
LED Quantity	48 LEDs	108 LEDs	
Input Voltage	100-240VAC		
Power Factor	>0.9		
Operation Temperature	-20~40 °C		
Power Consumption	28±1W	55±1W	
Typical Lumens	6000K	2413LM	4565LM
	4000K	2344LM	4395LM
	3000K	2192LM	4336LM

TLP-TS-28 28w 6000k



TLP-TS-55 55w 6000k

