

This 1200mm x 300mm LED panel displays an innovative and exciting suspended luminaire. It combines brilliant aesthetics with space-filling light, all contained within a premium-quality aluminium. And when it's switched off, clear lens means there's no visible light source.

### Features & Benefits

- 90 lm/W delivered at 6000K.
- Aesthetic design and superior performances.
- A uniform illuminating surface without led dots.
- Enhanced visual performance and emotional light experience.
- Direct and indirect light.
- Durable and reliable.
- No IR or UV radiation.



### Dimension



Model	Dimension (mm)		
	A	B	C
TLP-TD-3012	296	1196	11

### Ordering Information

Example: TLP-TD-3012-40C

Model	Size	Color Temp		Wattage	
		W	N	C	
TLP-TD	3012 296*1196	3000K			
		4000K		40	40W
		6000K			

### Specifications

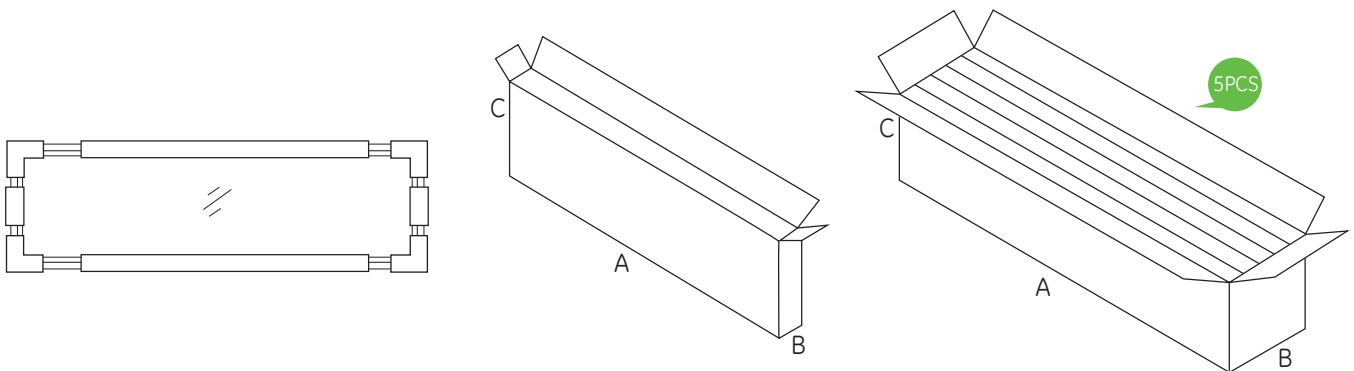
#### Optical Parameters

	TLP-TD-3012		
Size	296x1196x11		
CCT	6000K	4000K	3000K
Typical Lumens	3551LM	3325LM	3175LM
Light Source	LM80 2835 SMD		
Quantity	108pcs		

#### Electrical Parameters

Rated Power $\pm 5\%$	40W
Input Voltage	100-240VAC
Power Factor	>0.95
Operation Temperature	-20~40 °C

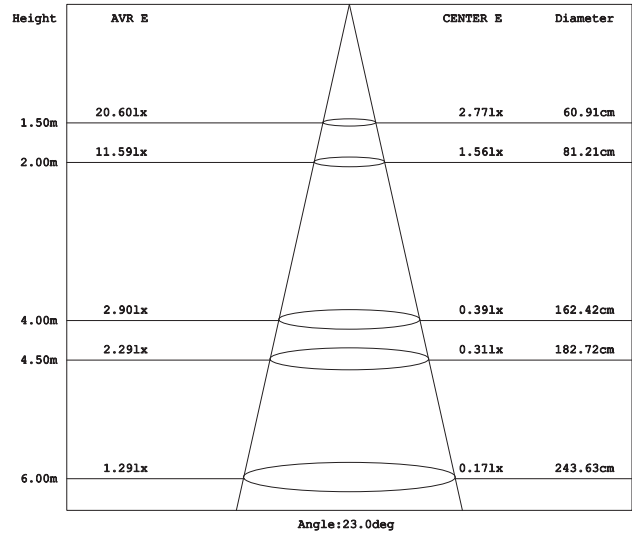
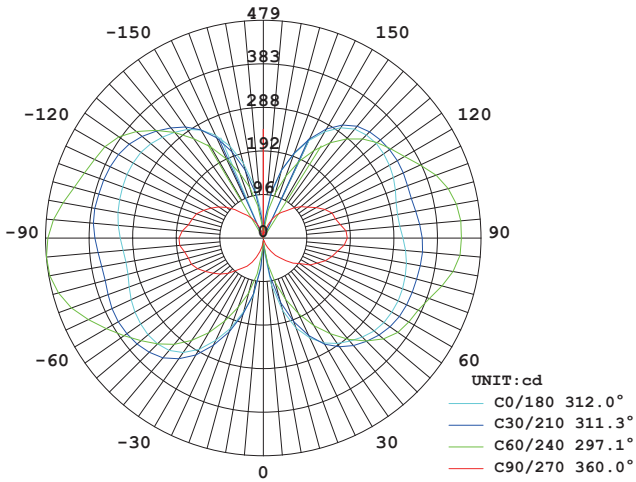
### Packing Information



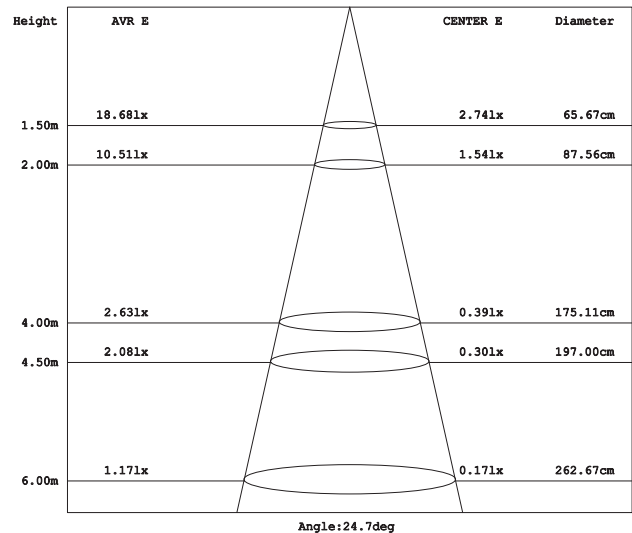
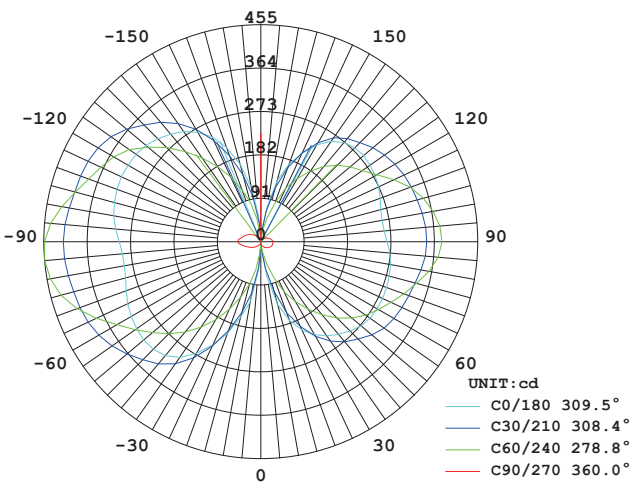
Panel	Box		Carton	
Model No.	ABC MAX (mm)	GW (kg)	ABC MAX (mm)	GW (kg)
TLP-TD	1250*350*280	4.45	1280*380*280	23

### Photometric Data

TLP-TD-3012 40W 6000k



TLP-TD-3012 40W 4000k



TLP-TD-3012 40W 3000k

