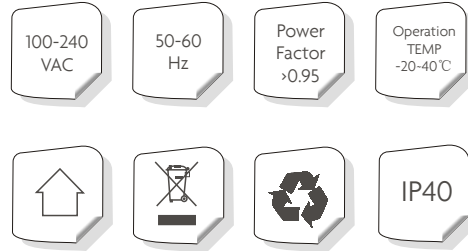


2835 SMD LEDs



Precisely Right.

R 50281047  
R 50281266



### Features & Advantages

- 2835 SMD LEDs with high luminous efficiency.
- Patent designed structures for long lifespan and safety.
- Detachable driver for easy installation and maintenance.
- Over 90% light transmission makes the light softly and brightly.
- Wider beam angle > 150°.
- 3 years of warranty.
- TUV mark certified.
- Mercury-free and RoHS compliant.

### Ordering Information

Part Number	Description	Unit
LTA-TL-9W-48W0	LumiT LTA T8 LED Tube, 0.6M 9W, G13, 900LM, Warm White, 100-240VAC , Milky Lens	PCS
LTA-TL-9W-48N0	LumiT LTA T8 LED Tube, 0.6M 9W, G13, 900LM, Natural White, 100-240VAC, Milky Lens	PCS
LTA-TL-9W-48C0	LumiT LTA T8 LED Tube, 0.6M 9W, G13, 900LM, Cool White, 100-240VAC, Milky Lens	PCS
LTA-TL-18W-96W0	LumiT LTA T8 LED Tube, 1.2M 18W, G13, 2000LM, Warm White, 100-240VAC, Milky Lens	PCS
LTA-TL-18W-96N0	LumiT LTA T8 LED Tube, 1.2M 18W, G13, 2000LM, Natural White, 100-240VAC, Milky Lens	PCS
LTA-TL-18W-96C0	LumiT LTA T8 LED Tube, 1.2M 18W, G13, 2000LM, Cool White, 100-240VAC, Milky Lens	PCS
LTA-TL-22W-132W0	LumiT LTA T8 LED Tube, 1.5M 22W, G13, 2400LM, Warm White, 100-240VAC, Milky Lens	PCS
LTA-TL-22W-132N0	LumiT LTA T8 LED Tube, 1.5M 22W, G13, 2400LM, Natural White, 100-240VAC, Milky Lens	PCS
LTA-TL-22W-132C0	LumiT LTA T8 LED Tube, 1.5M 22W, G13, 2400LM, Cool White, 100-240VAC, Milky Lens	PCS

### Technical Specifications

2835 SMD LEDs

#### Physical Specifications

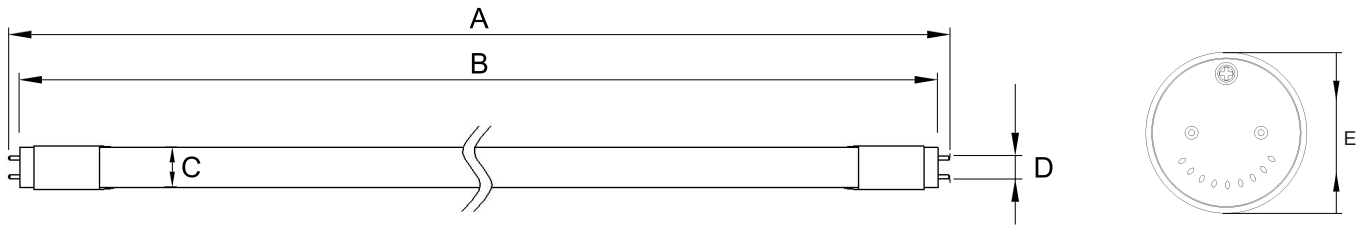
Length	600mm	1200mm	1500mm
Weight	130g	270g	350g
Housing	Aluminum Base+PC Cover		
Lens	Milky/Clear		
Tube Diameter	T8		
Base Type	G13		
Work Environment	Indoor use (applicable for dry environment)		

#### Electrical Specifications

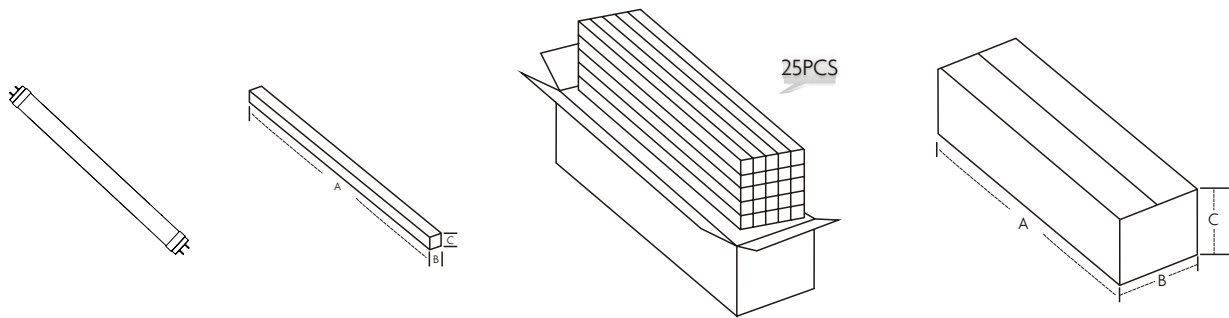
Length	600mm	1200mm	1500mm
LED Quantity	48 LEDs	96 LEDs	132 LEDs
Power Consumption	9W±10%	18W±10%	22W±10%
Input Voltage	100–240VAC		
Power Factor	>0.95		
Light Source	2835 SMD LEDs		
Operation Temperature	-20-40°C		

#### Optical Specifications

Length	600mm	1200mm	1500mm	
Power Consumption	9W±10%	18W±10%	22W±10%	
Lumens	Clear	1000±10%LM	2000±10%LM	2400±10%LM
	Milky	900±10%LM	1800±10%LM	2200±10%LM
Luminous Efficiency	Clear	>110LM/W	>110LM/W	>110LM/W
	Milky	>100LM/W	>100LM/W	>100LM/W
Color Temperature	Warm White:2900K-3200K			
	Natural White:3800K-4300K			
	Cool White:5800K-6300K			
CRI	>80			
Beam Angle	150 Degree			

**Dimension**
**2835 SMD LEDs**


LTEM	A:MAX (mm)	B:MAX (mm)	C:MAX (mm)	D:MAX (mm)	E:MAX (mm)
2ft/600mm	604	588	26	13	27.8
4ft/1200mm	1215	1198	26	13	27.8
5ft/1500mm	1514	1498	26	13	27.8

**Package**


Tube	Box	Carton		
Item	ABC:MAX (mm)	Gross Weight (g)	ABC:MAX (mm)	Gross Weight (g)
2ft/600mm	64*4*4	0.8	67*23*24	9
4ft/1200mm	124*4*4	0.5	126*23*24	14
5ft/1500mm	154*4*4	0.7	156*23*24	17